

M>D

F?LH>BD: E::HJ:LHJGUO B<K<E@BC
J::HQBO HJ=:GH< >EY <GMLJBIHQ<?GGH=H
<G?K?GBY @B>DBO M>H;J?GBC

? F R:EUIBG: fZ]bkljZgl
< B DHPM:: dZg^ l_og gZmd ^hp_gl

MH ©;_ehjmkkdZy]hkm^Zjkl_ggZy kZ^eykdyf
=hjdb J_kim[ebdZ ;_eZjmkv

<_^_gH^gbf ba i_jki_dlb\guo gZijZ\^e_gthc ih\ur_g
'Zcghklb k_evkdhohayckl_gguo dmevlmj y\ey_lky
\g_k_gb_ `b^dbo m^h[j_gbc Kms_kl_ggufybo ij_bf
_lky h[_ki_q_gb_ jZkl_gibguf_ ydeh^fhlgllzfb iblZgby g
ijhly`_gbb \k_]h i_jbh^Z _]\ZpbZ`ggh\ hakZk[mggh
\u_]h 2-11>14, 16, 17

<gmljbihq_ggh_ \g_k_gb_ `b^dbo fbg_jZevguo m
\hebl h[_ki_qblv iheghp_ggh_ iblZgb_ jZkl_gbc \jZ
_]\Zpbp_a_mevlZI_ kha^Zxlky mkeh\by ^ek gZb[he
ihevah\Zgby ihl_gpbZeZ ihq\u b ih\urZ_lkyZmjh`Zcg
_fuodmevlm]y \gmljbihq_ggh]h \g_k_gby fh]ml ijb
fbg_jZevgu_ hj]Zgbq_kdb_ b dhfie_dkgu_ `b^db_ m
gb_ `b^dbojZevguo m^h[j_gbc lj_[m_l lhqgh]h kh[er
abjh\hd lZd dZd ij_ur_gb_ ^habjh\db ijh\h^bl d
ke^kl\byf \iehlv ^h]b[_eb jZkl_gby

< ihke^g_ _ \j_fy rbjhdh_ jZkiyhkljZg_gth_ ^ey \g
]h \g_k_gby `b^dbo fbg_jZevguo m^h[j_gbc ihemqbe
JZ[hqbfh hj]ZgZfb ebd\beZca_jZ y\eyxlky dhe_k
bgt_dlhjZfb dhlhju_ i_j_dZlu\Zykv ih ih\ujoghklb
\Zxl ihq\m b \h^yl `b^dhklv gZ 15m18]gmx]em[bgm >

H^gZdh ijh[e_fhc hkIZ_lky h[_ki_q_gb_ jZ\ghf_jg
gbyh]em[bg_ hkh[_ggh ijb ih^dhjfd_ jZkl_gbc Z
gb_ \ughkZ m^h[j_gbc gZ ih_joghklv ijb hkihevah\
guo jZ[hqbo hj]Zgghfm g_h[oh^bfu ^hihegbl_ey
bkke^h\Zgby ih h[hkgh\Zgbx jZ[hqbo hj]Zgh\ k p
wnn_dlb\ghkljbihgmm_ggh]h \g_k_gby `b^dbo m^h[j_gb

P_ev jZ[hlluhj_lbq_kdb h[hkgh\Zlv dhebq_kl]h bgt
jZ[hq_f dhe_k_ jZajZ[hIZlv ijh]jZffm b f_kh^bdm e
ke^h\Zgbc Z lZd`_ jZajZ[hIZlv eZ[hjZl]hjgm mklz

^h\Zgby iZjZf_ljh h j b g t ^ e d y \ g m l j b i h q \ _ g g h] h ^ \ g _ k _ g b
 dbo m ^ h [j _ g b c

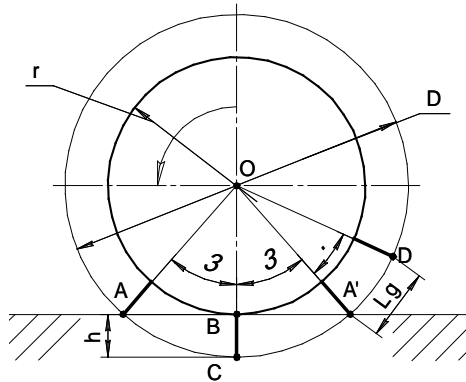
FZl_jbZeu b f_lh^bdZ bkkDhMZZjZf_b q _ _ dhe_kh i
 j_dZlu\Z_lky ih ih_joghklb ihey bgt_dlhju ih]jm`Z
 Dhebq_kl\h bgt_dlhjh\ h^agh\j_f_ggh aZ]em[e_gguo
 ey_lky bkkDhMZZjZf_ljZ jZ[hq_]h dhe_kZ \ukblu bgt_d
 q_kl\Z bgt_dlhjh\ gZ jZ[hq_f dhe_k_ jbk

M]he 3 f_`^m _jlbDZevghc hkvx jZ[hq_]h dhe_kZ
 lhqd_ dZkZgby ihq\ u hij_`_eyl_15,17]ih nhjfme_ >

$$3 \frac{DUF}{R} \frac{R}{h} \frac{V}{\rho} \quad (1)$$

]^R-jZ^bmk jZ[hq_]h dhe_kZ f
 h-\ukhlZ bgt_dlhjZ f

$$3 \frac{DUF}{R} \frac{R}{h} \frac{V}{\rho} \quad q \quad jZ_{s1}^{\wedge}$$



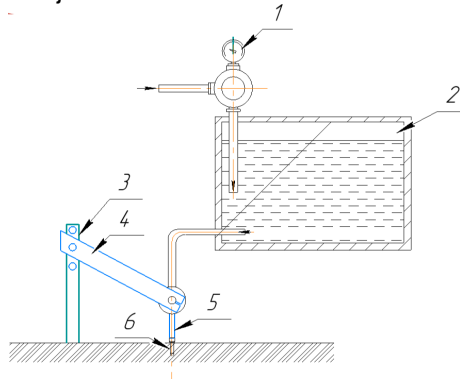
Jbk Ko_fZ ^\b`_gby jZ[hq_]h dhe_kZ

M]he . f_`^m ^\mfy khk_`ggbfb bgt_dlhjZfb hij_`_fme_

$$\frac{2Qe}{N} \quad (2)$$

]^N-dhebq_kl\h bgt_dlhjh\ gZ jZ[hq_f dhe_k_ rl

bgt_dlhjh\ h[hkgh\Zgb_ bgl_j\Zeh\ b mjh\g_c \Zjv
 guo nZdlhjh\ ^ey ijh_^_gby ^Zevg_crbo bkke_^\h\
 \gmljbiqh_ggh]h \g_k_gby m^h[j_gbc Z lZd`_ hij_\
 jZpbhgZevguo agZq_gbc iZjZf_ljh\ bgt_dlhjh\ b ihe
 lbq_kdhc fh^_eb ijhp_kkZ \g_k_gby12,13]dbo m^h[j_gb
 < ^Zevg_cr_f ijh\h^y\ky ihe_\u_ bkiulZgby ^ey i
 amevlZlh\ l_hj_lbq_kdbo bkeZ[h\ZlZjguo \^ijhba\h
 kl_gguo mkeh\byo Z lZd`_ ijh_^_gby kjZ\gbl_evgh
 jZ_fh]h ZiiZjZlZ ^ey \gmljbiqh_ggh]h \g_k_gby `b^
 kms_kl\mxsfbf ZiiZjZlZfb
 >ey ijh_^_gby eZ[hjZlhjguo bkke_^\h\Zgbc ijhp_k
 _ggh]h \g_k_gby m^h[j_gbc [ueZ ba]hlh\^e_gZ eZ[
 mklZgh\dZ jbk



Jbk EZ[hjZlhjgZy mklZgh\dZ ^ey bkke_^\h\Zgby \gmljbi
 \g_k_gby `b^dbo m^h[j_gbc [Zd`_ ihcdZ
 4- djhgrl_cg k hl\ 5klZgq- bgt_dlhj

EZ[hjZlhjgZy mklZgh\dZ khklhbl ba mklZgh\^e_gg
 gh\^db [ZkZl\hjhf `b^dbo fbg_jZevguo m^h[j_gbc
 3 k djhgrl_cgkhhfghljbjh\Zg kf_gguc6bgh\hjhuc bf__l
 \hafh`ghklv ih]jm`Zlvky \ kehc ihq\u gZ jZaebqgmX
 jZaebqguf m]ehf JZk2\hj^bZ [Zd`_ f q_j5 ahreZg]
 ^Z_lky \ bgt_dlhj b \ijukdb\Z_lky \ ihq\m JZaebqgh
 h[_ki_qb\Z_lky aZ kq_l dhfij_kkhjZ b dhgl]hebzm_lk
 Dhgkljmdpby eZ[hjZlhjghc mklZgh\^db iha\hey_l
 ij_^_eZo baf_gylv ke_^\mxsb_ iZjZf_lju ^Z\^e_gb_
 iZxs_]h \ [Zd`_]em[bgm \oh^_gby bgt_dlhjZ \ ihq\
 gby bgt_dlhjZ \ ihq\m ^bZf_lj hl_jklby bgt_dlhjZ

4. EZiZ < < Fbg_jZevgu_ m^h[ijh\gby\gby\inb\ wnn_dlb\ghklb < < EZiZ < G - FbkZkd - k
5. EZiZ < < ljbfg_gb_ `b^dbo m^h[j_gbc :^h[b ;ZknhebZj \ha^eu\Zgby habfuo dmevlmF < < ZdEZi G ;hkZd v ;_ehjmkk kdh_ohay-2006h- -K -45.
6. EZiZ < < Wnn_dlb\ghklv jZaebqguo nhjf ZahlguoZ m^h[j_gbc gbb_k_evkdhohayckl\ _gguo dmevlmF b^dbo m^h[j_gbc \l_ogheh]byo \ha^_e dmevlmj < EZiZ F JZd < ;hkZ 2008.-=>EZiZ\guc-1Z]jhgfh
7. EZiZ < < ljbfg_gb_ `b^dbo m^h[j_gbc \l_ogheh]byo \ha^_e dmevlmj < EZiZ F JZd < ;hkZ 2008.-=>EZiZ\guc-1Z]jhgfh
8. FZdkbhf\Z K E ljbfg_gb_ m^h[j_gbc mgZ hkgh\ fmkZ \ bgl_gkb\ghf a_fe_ ^_ebb K E FZdkbhf\Z bkgkG ;hkZd 2014.- k
9. ljbfg_gb_ h^ghdhfhg_glguo b dhfie_<kkG@ ;hkZ [j_gby] @ Fbgkd ;=LM- k
10. ljbfg_gb_ hjjZgbq_k_dbo m^h[j_gkb\ghf a_BeJ^_ebh ^nemr > b^jh @ b ;=KO: - k
11. JZdF < M^h[j_gby WdhebkI gZ ihk_\Zo habfuo a_jgh\uo < G ;hkZd < K ;h[j ;_ehjmkkk-2004k-evkdK_-8ohayckl\h
12. Jh]h\ < : F_lh^bdZb ZjZd gbg_kdbo wdki<:jb\hg h\ = lha_gyFdhkd\Z :dZ^_fby k
13. Kibjbg F_lh^ueZgbjh\Zgby b h[jZ[hldb j_amevlZih\ bg wdki_jbf_gIz K G jbg < < EZiZ\h^dZi_jbjg 2004.- k
14. KijZ\hqgZjdhobfbdZ < < .EZiZk 2007j @ k
15. L_hj_l bq_kdh_ h[hkgh\Zgb_ dhgkljmdlb\guo iZjZf_ljh\ jZ[h\ \gmljbihq_ggh]h \g_k_gby `b^dbo Bm^D[hjgm]Z < < a_\bq ? F.RZeuibgZF < Dmaxj Dhgkljmbjh\Zgb_ bkihevah\Zgb_ b gZ^ k_kdhohayckl_ggh]h g2023-Zq_gby- K -244.
16. RZeuibgZ :gZehZ[hqbo hj]Zgbyey \gmljbihq_ggh]h \g_k_gby `b^dbo m^h[j_gbzZeuibgZ B Dhpm[Z Bggh\Zpbhggu_ j_r_g l_ogheh]byo b f_oZgbaZpbb k_evkdhohayckl\ \Zg h[hjggh]h = K Dba\h^k 2023.- <ui -K193-197.
17. RZeuibgZ L_hj_l bq_kdh_ h[hkgh\Zgb_ ^\b`_gby jZ[hqbo \gmljbihq_ggh]h \g_k_gby `b^dbo m^h[j_gbzZeuibgZ B Dhpm[Zm Zevgu_ \hifh oZgbaZpbb k_evkdhohayckl\ \Zg h[hjggh]h = K Ok 2023.- K -80.
18. Duport Liquiliser > We_dljhguc j_ k mjkf@^hkl http://duporteu/ resource=images/FoldeF%20Duport%20Liquiliser%20april%202022%20N%2028042022 %20mailversiepdf.- > ZIZ ^hklmiz 3.

:ggHlZpbjh_^_gu l_hj_l bq_kdb_ bkke_ ^h\Zgby ij b]hevqZ^b kdk iheufb b] bZfb dlhJZby \gmljbghq_ gh]h \g_k_gby m^h[j_gbc JZajZ[hIZgZ mklZgh\dZ ^ lhgguo bkke_ ^bZg bchj\

Dexq_u_ ke^Zb_ fbg_jZevgu_ m^h[j_gby \gmlj gh_ \g_k_gb_ jZ[hqb_dh]jZgueZhgjZihjgZy mklZgh\d